

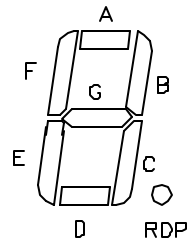
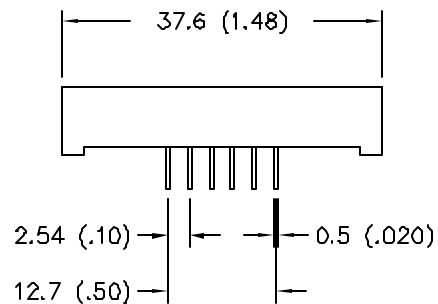
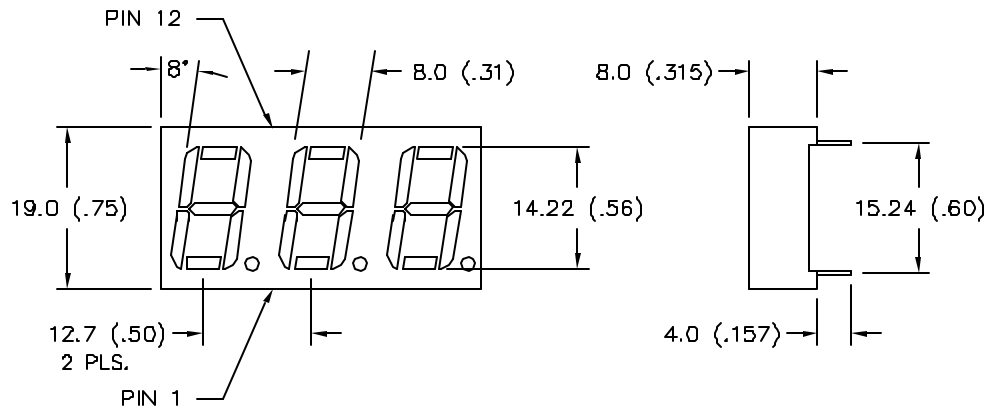
DATE

REVISIONS

REV

DRAWING NUMBER  
LDT-M512RI

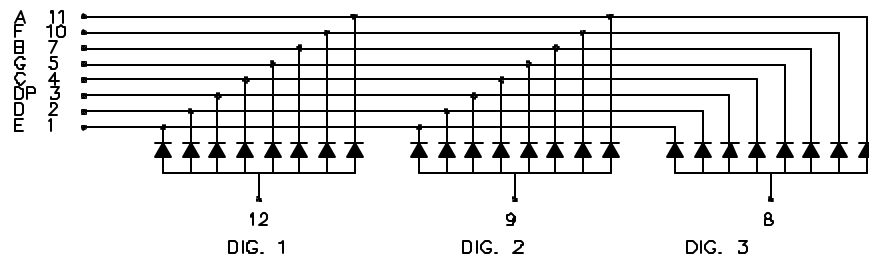
REV

ELECTRO-OPTICAL CHARACTERISTICS  $T_A = 25^\circ\text{C}$   $I_f = 20\text{mA}$ 

PARAMETER	MIN	TYP	MAX	UNITS	TEST COND
PEAK WAVELENGTH		565 (GREEN)		nm	
FORWARD VOLTAGE		2.1	2.8	$V_f$	
REVERSE VOLTAGE	5.0			$V_r$	$I_r = 100\ \mu\text{A}$
AXIAL INTENSITY		3900		ucd	$I_f = 10\ \text{mA}$
EMITTED COLOR	GREEN				
EPOXY LENS FINISH	WHITE				
FONT COLOR	GRAY				

LIMITS OF SAFE OPERATION AT  $25^\circ\text{C}$  (PER CHIP)

PARAMETER	MAX	UNITS
PEAK FORWARD CURRENT*	150	mA
STEADY CURRENT	25	mA
POWER DISSIPATION	105	mW
DERATE FROM $25^\circ\text{C}$	-1.2	$\text{mW}/^\circ\text{C}$
OPERATING, STORAGE TEMP	-40 TO +85	$^\circ\text{C}$
LEAD SOLDERING TEMP	+260	$^\circ\text{C}$
2.0mm FROM BODY		3 SEC. MAX

\*  $t < 10\ \mu\text{s}$ COMMON ANODE NOTE:  $\theta$  (NP)

LUMEX  
OPTO COMPONENTS INC.

292 E. HELLEN ROAD  
PALATINE, ILLINOIS 60067  
(708) 359-2790

CONFIDENTIAL INFORMATION  
THE INFORMATION CONTAINED IN THIS DOCUMENT IS THE PROPERTY OF LUMEX OPTO/COMPONENTS, INC. EXCEPT AS SPECIFICALLY AUTHORIZED IN WRITING BY LUMEX OPTO/COMPONENTS, INC., THE HOLDER OF THIS DOCUMENT SHALL KEEP ALL INFORMATION CONTAINED HEREIN CONFIDENTIAL AND SHALL PROTECT SAME IN WHOLE OR IN PART FROM DISCLOSURE AND DISSEMINATION TO ALL THIRD PARTIES.

DATE: 4-29-96

DWN:

CHK'D:

APPD:

SCALE: N/A

TRIPLE DIGIT SEVEN SEGMENT DISPLAY,  
GREEN, COMMON ANODE

PAGE 1 OF 1

DRAWING NUMBER  
LDT-M512RI

REV

MS/DC